

ITEM NO.	PART NO.	QTY.	SERV.	DESCRIPTION
1	723-0010	1		ASSY, MAIN FRAME
2	723-0111	1		ASSY, FRONT ELECTRICAL PANEL
3	723-0156	1		ASSY, ALTERNATOR/BRAKE SUPPORT
4	723-0171	1		ASSY, MAST
5	723-0183	1	YES	ASSY, HANDRAIL, LH
6	723-0197	1	YES	ASSY, HANDRAIL, RH
7	723-0258	1	NO	PROTECTIVE COVER ASSEMBLY
8	723-0229	1		CONSOLE ASSY, SM3
9	723-0095	5	YES	NUT, M8 X 1.25, NYLOC JAM
10	723-0076	24	YES	M6 X15 PHILLIPS HEAD SCREW
11	723-0093	4		NUT, 3/8-16 NC
12	723-0098	2		SHCS, M8X25
13	723-0167	6		SCREW, M8X1.25, 20MM, BHC, HK
14	723-0092	1	NO	RIV-NUT, M6 X 1.0, KNURLED OPEN END, STEEL
15	723-0240	4	YES	M10x45 BUTTON HEAD SCREW
16	050-0049	7	YES	WASHER
17	40670	4		SCREW, #1/4-20 X .75, PAN HEAD, W/LOCK WASHER
18	723-0242	4	YES	M10-X 55 BUTTON HEAD SCREW
19	21462	8	YES	WASHER, 0.390X.630X.060, STAINLESS STEEL
20	723-0241	3	YES	M10X25 BUTTON HEAD SCREW
21	050-0231	1		ADAPTER, CORD LINE, AS/NZS 3112
22	050-0232	1		ADAPTER, CORD LINE, NEMA 5-15
23	050-0233	1		ADAPTER, CORD LINE, NEMA 6-15
24	050-0234	1		ADAPTER, CORD LINE, CEE 7/7
25	050-0235	1		ADAPTER, CORD LINE, BS 1363
26	723-0246	1	YES	BELT, ALTERNATOR
27	050-0072	4		NUT CAP
28	723-0247	1	NO	NUT, M6
29	723-0248	1	NO	SCREW, ISO4762, M6x25
30	723-0168	8		WASHER, 20.3MM ODX8.2MM ID
31	723-0245	10		FHCS M6X70
32	723-0228	2		PPHSTS M6X10

PROPRIETARY AND CONFIDENTIAL
 THE INFORMATION CONTAINED IN THIS DRAWING IS THE SOLE PROPERTY OF STAIRMASTER OR CORE FITNESS. ANY REPRODUCTION IN PART OR AS A WHOLE WITHOUT THE WRITTEN PERMISSION OF STAIRMASTER OR CORE FITNESS IS PROHIBITED.

THIRD ANGLE PROJECTION:

ALL DIMENSIONS GIVEN IN MILLIMETERS. UNLESS OTHERWISE SPECIFIED MATCH 3D GEOMETRY ± TWO PLACE DECIMAL.

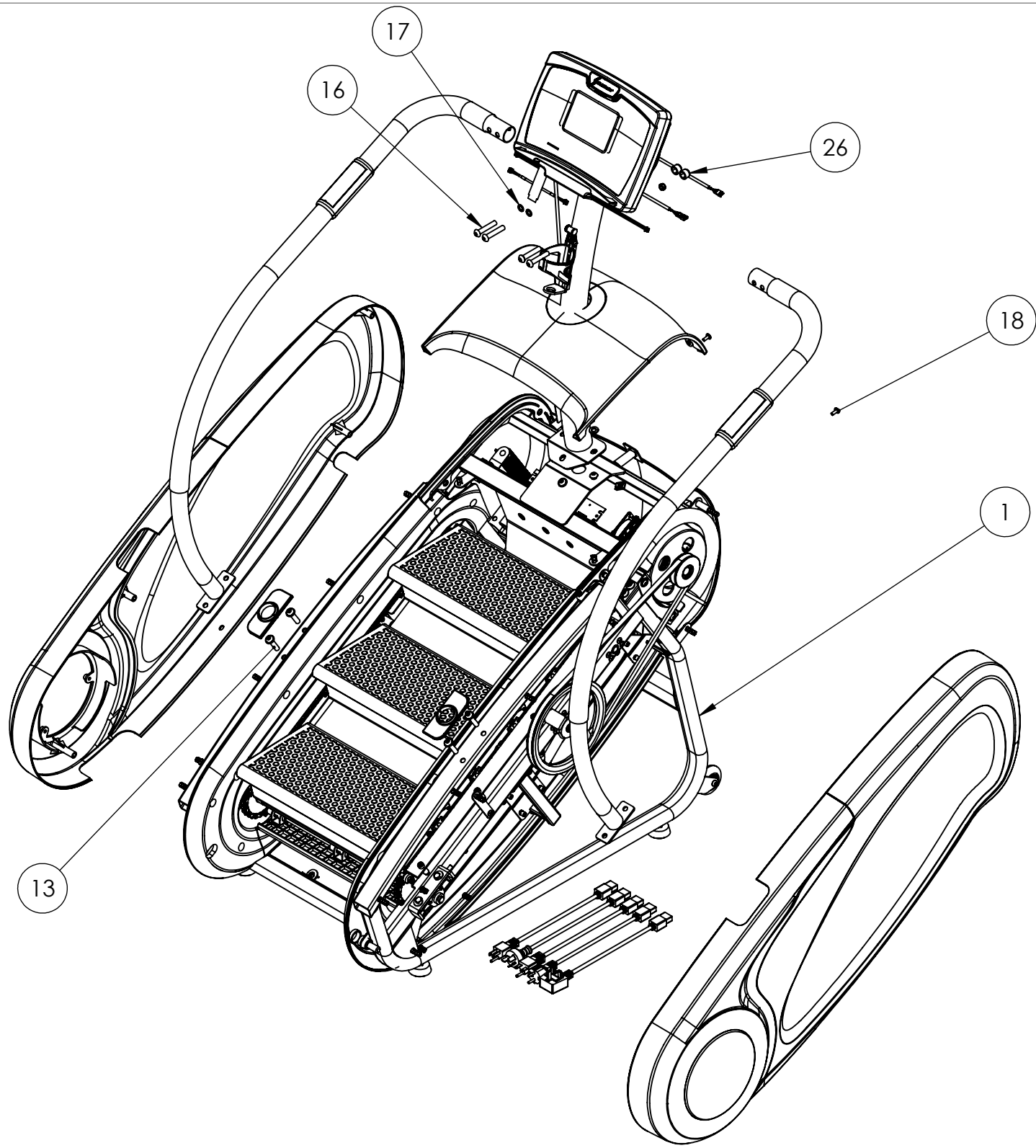
TOLERANCES:
 ANGULAR: ± 1°
 WHOLE MEASUREMENTS ± 1.
 ONE PLACE DECIMAL ± .3
 TWO PLACE DECIMAL ± .15

NAME	DATE
ENG/DRW	7/12/2010
DRAWN	ATV
ENG APPR.	10/5/2012
SERVICEABLE:	
MATERIAL:	
COLOR:	
FINISH:	
VENDOR PN:	

MODEL DESCRIPTION:
SM3 SERVICE DRAWING

DRAWING: **140001** REV. **C**

SCALE: 1:25 SIZE: B SHEET: 1 OF 11



ITEM NO.	PART NO.	page 2/QTY.	SERV.	DESCRIPTION
1	723-0010	1		ASSY, MAIN FRAME
2	723-0111	1		ASSY, FRONT ELECTRICAL PANEL
3	723-0156	1		ASSY, ALTERNATOR/BRAKE SUPPORT
4	723-0171	1		ASSY, MAST
5	723-0183	1	YES	ASSY, HANDRAIL, LH
6	723-0197	1	YES	ASSY, HANDRAIL, RH
7	723-0258	1	NO	PROTECTIVE COVER ASSEMBLY
8	723-0229	1		CONSOLE ASSY, SM3
9	723-0095	5	YES	NUT,M8 X 1.25,NYLOC JAM
10	723-0093	4		NUT, 3/8-16 NC
11	723-0092	1	NO	RIV-NUT, M6 X 1.0, KNURLED OPEN END, STEEL
12	723-0167	6		SCREW, M8X1.25,20MM, BHC, HK
13	723-0240	4	YES	M10x45 BUTTON HEAD SCREW
14	050-0049	7	YES	WASHER
15	40670	4		SCREW, #1/4-20 X .75, PAN HEAD, W/LOCK WASHER
16	723-0242	4	YES	M10-X 55 BUTTON HEAD SCREW
17	21462	8	YES	WASHER,0.390X.630X.060,STAINLESS STEEL
18	723-0076	24	YES	M6 X15 PHILLIPS HEAD SCREW
19	723-0245	10		FHCS M6X70
20	050-0231	1		ADAPTER,CORD LINE, AS/NZS 3112
21	050-0232	1		ADAPTER,CORD LINE, NEMA 5-15
22	050-0233	1		ADAPTER,CORD LINE, NEMA 6-15
23	050-0234	1		ADAPTER, CORD LINE, CEE 7/7
24	050-0235	1		ADAPTER,CORD LINE, BS 1363
25	723-0246	1	YES	BELT, ALTERNATOR
26	050-0072	4		NUT CAP
27	723-0247	1	NO	NUT, M6
28	723-0248	1	NO	SCREW, ISO4762, M6x25
29	723-0098	2		SHCS, M8X25
30	723-0241	3	YES	M10X25 BUTTON HEAD SCREW
31	723-0168	8		WASHER, 20.3MM ODX8.2MM ID
32	723-0228	2		PPHSTS M6X10

13

16


17

26

18

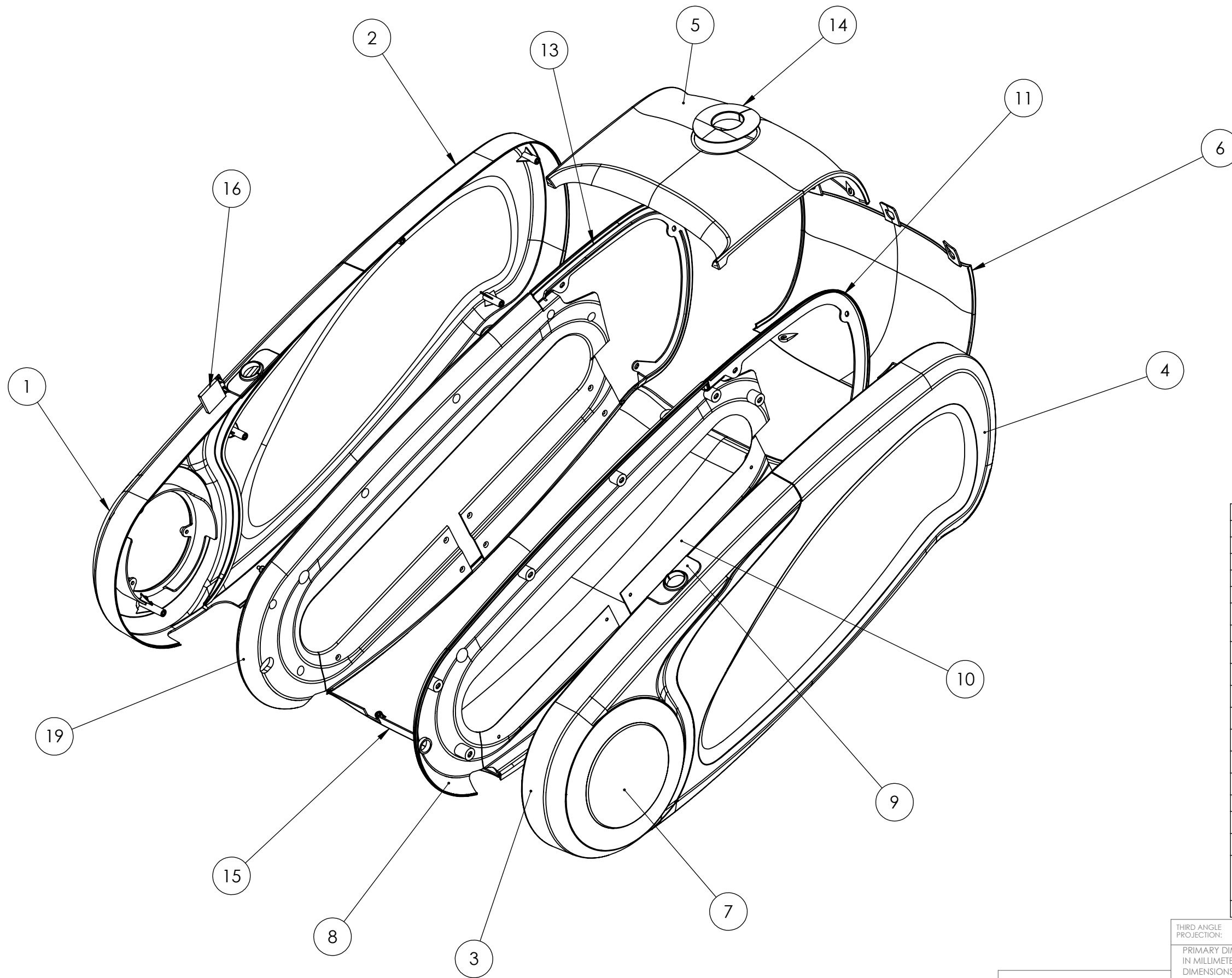
1

PROPRIETARY AND CONFIDENTIAL
 THE INFORMATION CONTAINED IN THIS DRAWING IS THE SOLE PROPERTY OF STAIRMASTER OR CORE FITNESS. ANY REPRODUCTION IN PART OR AS A WHOLE WITHOUT THE WRITTEN PERMISSION OF STAIRMASTER OR CORE FITNESS IS PROHIBITED.


THIRD ANGLE PROJECTION: 
 PRIMARY DIMENSIONS GIVEN IN MILLIMETERS SECONDARY DIMENSIONS GIVEN IN INCHES. UNLESS OTHERWISE SPECIFIED MATCH 3D GEOMETRY ± TWO PLACE DECIMAL.
 TOLERANCES:
 ANGULAR: ± 1°
 WHOLE MEASUREMENTS ± 1.
 ONE PLACE DECIMAL ± .3
 TWO PLACE DECIMAL ± .15

	NAME	DATE
ENG/DRW		7/12/2010
DRAWN	ATV	10/5/2012
ENG APPR.		
SERVICEABLE:		
MATERIAL:		
COLOR:		
FINISH:		
VENDOR PN:		


 MODEL DESCRIPTION:
SM3 SERVICE DRAWING
 DRAWING: 140001 REV. C
 SCALE: 1:50 SIZE: B SHEET: 2 OF 11



ITEM NO.	PART NO.	QTY.	SERV.	DESCRIPTION
1	723-0207	1	YES	SHROULD, LEFT HAND ASSY
2	723-0208	1	YES	SHROUD, UPPER LH ASSY
3	723-0209	1	YES	SHROUD, LOWER RH ASSY
4	723-0210	1	YES	SHROUD, UPPER RH ASSY
5	723-0212	1	YES	SHROUD, MAST ASSY
6	723-0214	1	YES	SHROUD, FRONT
7	723-0215	2	YES	SHROUD, WHEEL
8	723-0217	1	YES	SHROUD, INNER UPPER, RH
9	723-0219	2	YES	GASKET, HANDRAIL BASE
10	723-0220	1	YES	SHROUD, INNER LOWER, RH
11	723-0221	1	YES	SHROUD, INNER TOP RH
12	723-0222	1	YES	SHROUD, INNER LOWER, LH
13	723-0223	1	YES	SHROUD, INNER TOP, LH
14	723-0224	1	YES	GASKET, MAST BASE
15	723-0225	1	YES	SHROUD, BELLY PAN ASSY
16	723-0226	1	YES	REFLECTOR, EMERGENCY STOP
17	723-0227	2	NO	SCREW, M4x0.7x14L,PHT,PH,CS,BZ
18	723-0228	6		PPHSTS M6X10
19	723-0218	1	YES	SHROUD, INNER UPPER, LH

THIRD ANGLE PROJECTION: 

PRIMARY DIMENSIONS GIVEN IN MILLIMETERS SECONDARY DIMENSIONS GIVEN IN INCHES. UNLESS OTHERWISE SPECIFIED MATCH 3D GEOMETRY ± TWO PLACE DECIMAL.

TOLERANCES:
 ANGULAR: ± 1°
 WHOLE MEASUREMENTS ± 1.
 ONE PLACE DECIMAL ± .3
 TWO PLACE DECIMAL ± .15

PROPRIETARY AND CONFIDENTIAL
 THE INFORMATION CONTAINED IN THIS DRAWING IS THE SOLE PROPERTY OF STAIRMASTER OR CORE FITNESS. ANY REPRODUCTION IN PART OR AS A WHOLE WITHOUT THE WRITTEN PERMISSION OF STAIRMASTER OR CORE FITNESS IS PROHIBITED.

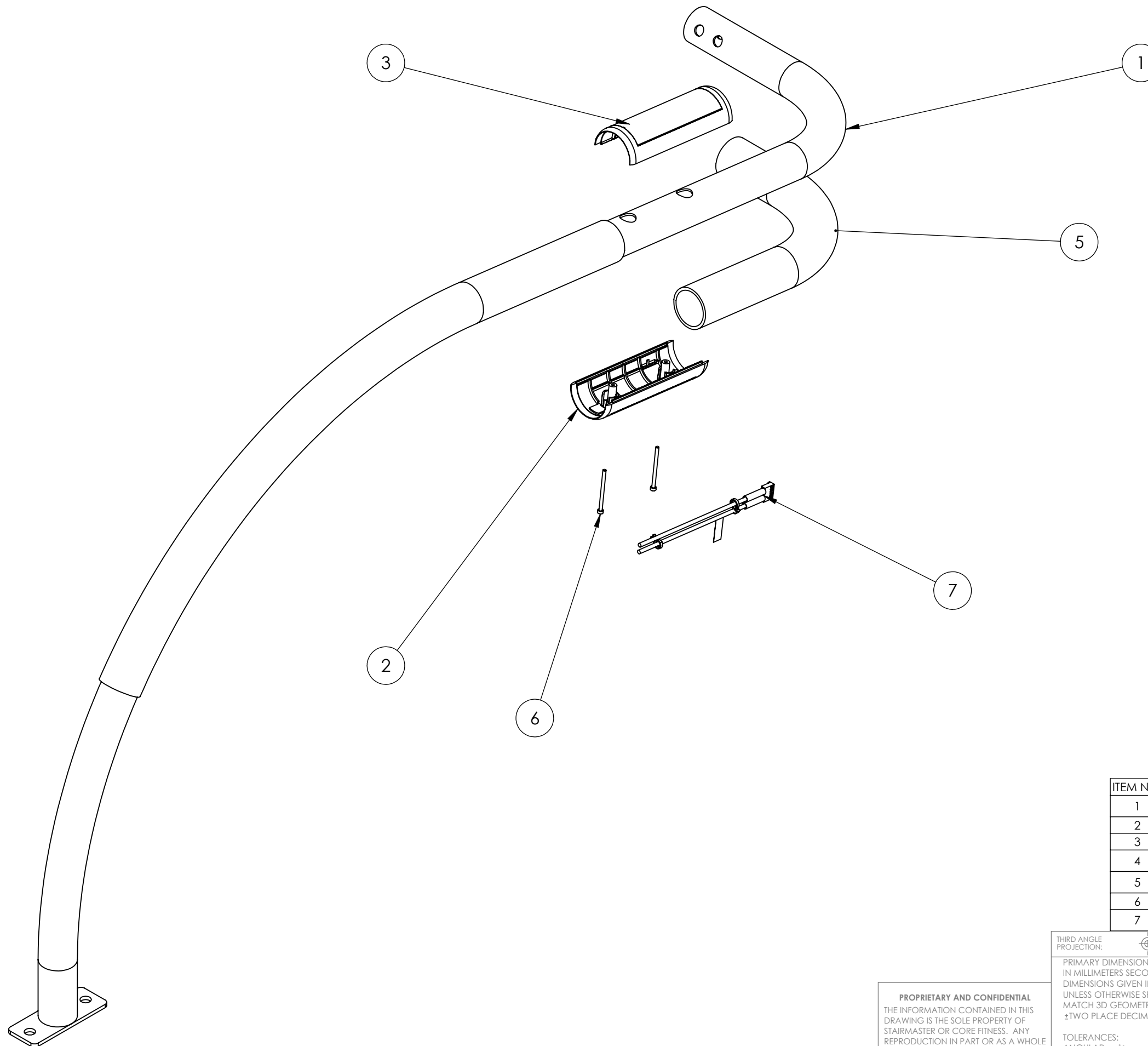
NAME	DATE
ENG/DRW	11/28/2011
DRAWN	ATV
ENG APPR.	10/5/2012
SERVICEABLE: NO	
MATERIAL:	
COLOR:	
FINISH:	
VENDOR PN:	



MODEL DESCRIPTION:
PROTECTIVE COVER ASSEMBLY

DRAWING: **723-0258** REV. **A**

SCALE: 1:20 SIZE: B SHEET: 3 OF 11



ITEM NO.	PART NO.	QTY.	SERV.	DESCRIPTION
1	723-0198	1		ASSY, TUBE HANDRAIL, RH
2	723-0187	1	YES	ASSY, LOWER HR GRIP
3	723-0191	1	YES	ASSY, UPPER HR GRIP
4	723-0194	1	NO	HANDRAIL, RUBBER GRIP, LOWER
5	723-0205	1		HANDRAIL, RUBBER GRIP, UPPER
6	723-0195	2		SCREW, M3x45, SHC, ISO4762
7	723-0196	1		ASSY, CABLE , HR BRD-GRIPS, EE+

PROPRIETARY AND CONFIDENTIAL
 THE INFORMATION CONTAINED IN THIS DRAWING IS THE SOLE PROPERTY OF STAIRMASTER OR CORE FITNESS. ANY REPRODUCTION IN PART OR AS A WHOLE WITHOUT THE WRITTEN PERMISSION OF STAIRMASTER OR CORE FITNESS IS PROHIBITED.

THIRD ANGLE PROJECTION:

PRIMARY DIMENSIONS GIVEN IN MILLIMETERS SECONDARY DIMENSIONS GIVEN IN INCHES. UNLESS OTHERWISE SPECIFIED MATCH 3D GEOMETRY ± TWO PLACE DECIMAL.

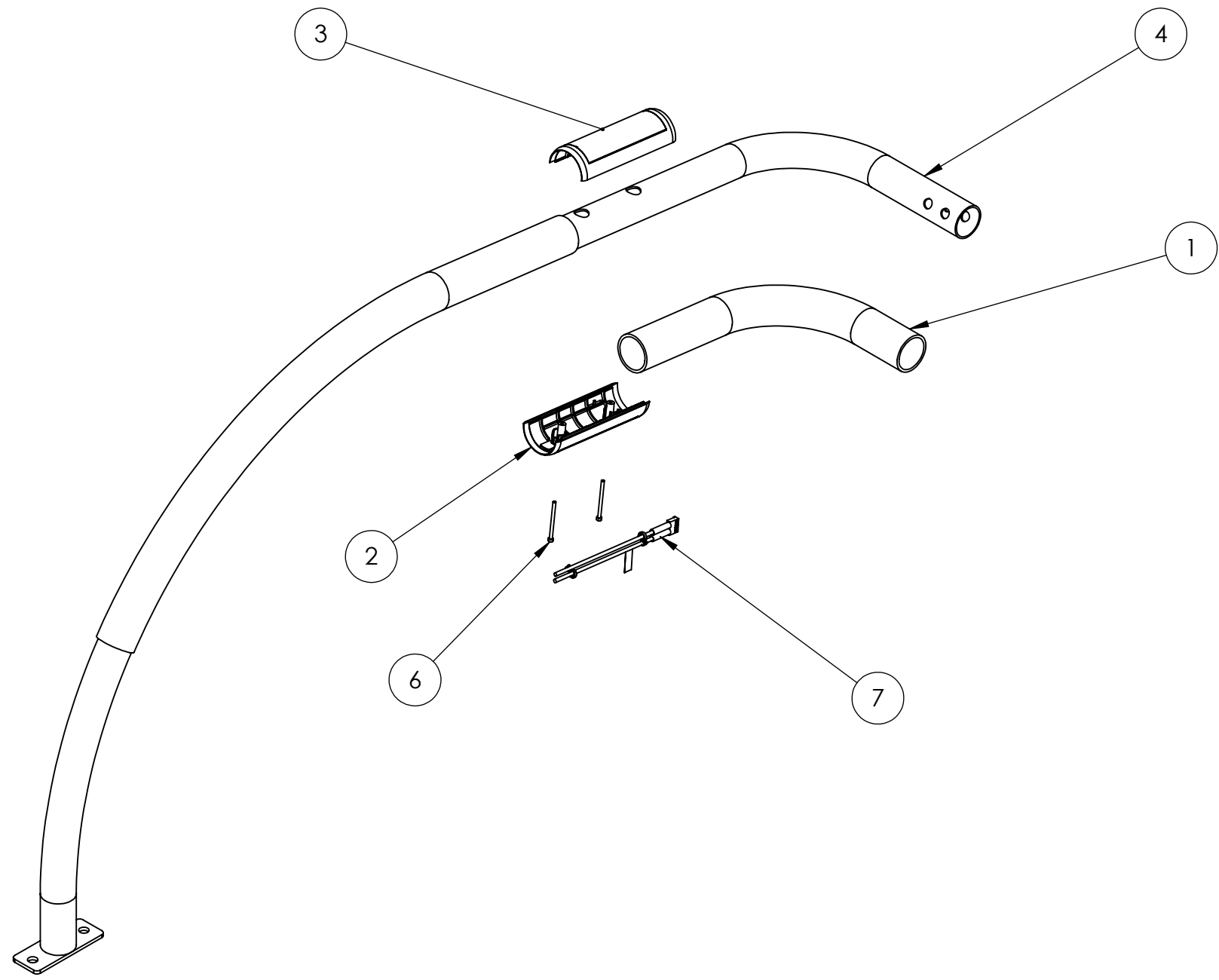
TOLERANCES:
 ANGULAR: ± 1°
 WHOLE MEASUREMENTS ± 1.
 ONE PLACE DECIMAL ± .3
 TWO PLACE DECIMAL ± .15

NAME	DATE
ENG/DRW	8/22/2010
DRAWN	ATV
ENG APPR.	
SERVICEABLE: YES	
MATERIAL:	
COLOR:	
FINISH:	
VENDOR PN:	

MODEL DESCRIPTION:
ASSY, HANDRAIL, RH

DRAWING: **723-0197** REV. **A**

SCALE: 1:20 SIZE: B SHEET: 4 OF 11



ITEM NO.	PART NO.	QTY.	SERV.	DESCRIPTION
1	PS303743 04E	1		
2	723-0187	1	YES	ASSY, LOWER HR GRIP
3	723-0191	1	YES	ASSY, UPPER HR GRIP
4	SM3-05- 01E	1		
5	PS303743 03E	1		
6	723-0195	2		SCREW, M3x45, SHC, ISO4762
7	SM3-05- 04E	1		ASSY, CABLE, HR BRD-GRIPS, EE+

THIRD ANGLE PROJECTION:	
ENG/DRW	ATV
DRAWN	ATV
ENG APPR.	
SERVICEABLE:	YES
MATERIAL:	
COLOR:	
FINISH:	
VENDOR PN:	

NAME	DATE
ATV	8/22/2010
ATV	10/5/2012

MODEL DESCRIPTION:
ASSY, HANDRAIL, LH

DRAWING: **723-0183** REV. **00**

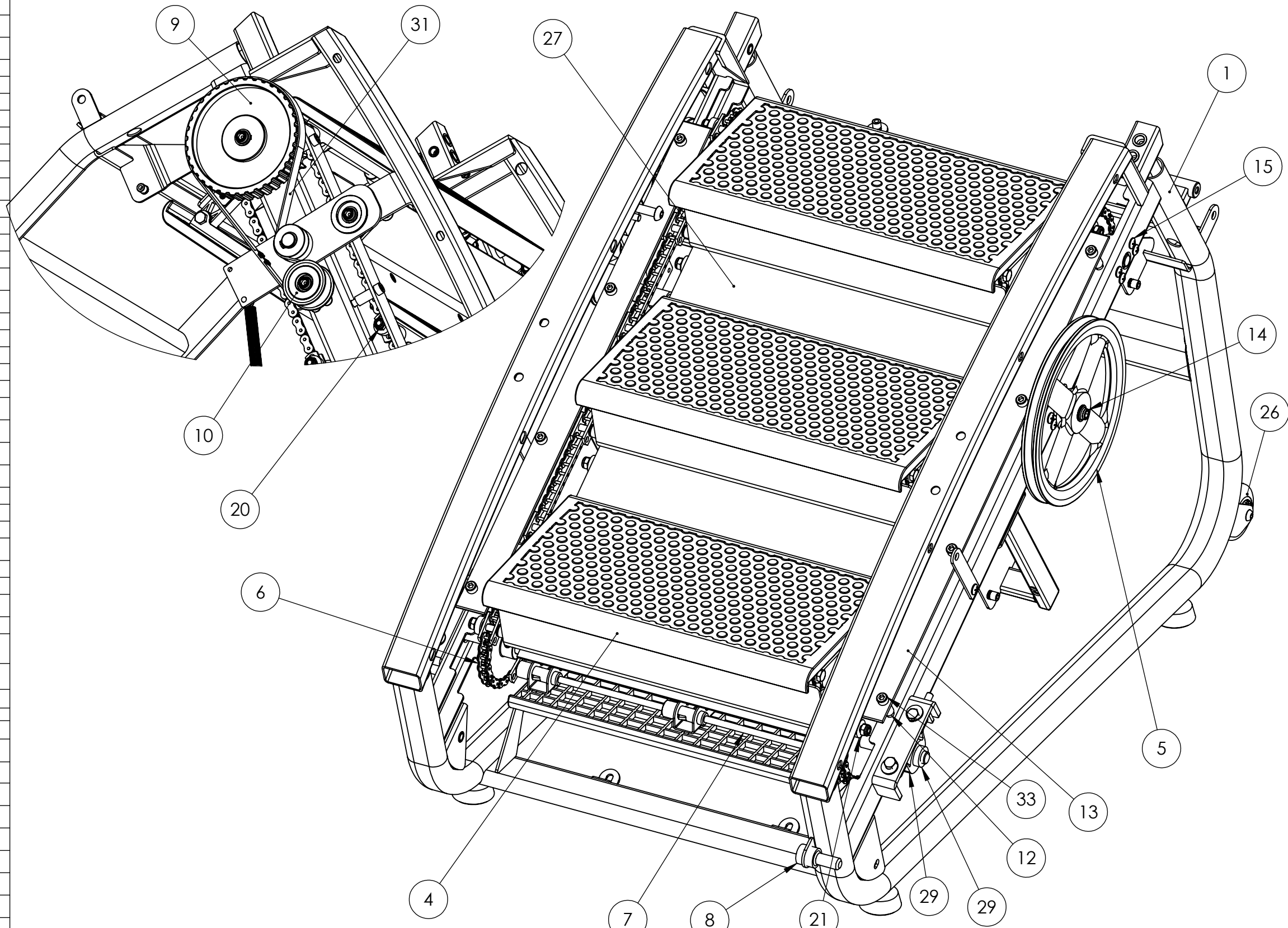
SCALE: 1:20 SIZE: B SHEET: 5 OF 11

PROPRIETARY AND CONFIDENTIAL
 THE INFORMATION CONTAINED IN THIS DRAWING IS THE SOLE PROPERTY OF STAIRMASTER OR CORE FITNESS. ANY REPRODUCTION IN PART OR AS A WHOLE WITHOUT THE WRITTEN PERMISSION OF STAIRMASTER OR CORE FITNESS IS PROHIBITED.

PRIMARY DIMENSIONS GIVEN IN MILLIMETERS SECONDARY DIMENSIONS GIVEN IN INCHES. UNLESS OTHERWISE SPECIFIED MATCH 3D GEOMETRY ± TWO PLACE DECIMAL.

TOLERANCES:
 ANGULAR: ± 1°
 WHOLE MEASUREMENTS ± 1.
 ONE PLACE DECIMAL ± .3
 TWO PLACE DECIMAL ± .15

ITEM NO.	PART NO.	QTY.	SERV.	DESCRIPTION
1	723-0011	1		ASSY, MAIN SUB FRAME
2	723-0043	1		ASSY, SPROCKET SHAFT WELDMENT
3	723-0046	2		SPROCKET, BOSSED, ROOLER CHAIN #40, 16MM ID
4	723-0047	6		ASSY, RISER AND STEP BRACE
5	723-0057	1	YES	PULLY, 228MM OD 15MM ID
6	723-0062	2	YES	ASSY, #40 CHAIN MAIN DRIVE
7	723-0065	12	YES	THREADED SHAFT, STEP/RISER
8	723-0066	1	YES	SENSOR, EMERGENCY STAIR STOP
9	723-0070	1	YES	SPROCKET, BELT DRIVEN 144.16MM OD 15MM ID
10	723-0079	1	YES	SPROCKET, BELT DRIVEN 47MM OD 15MM ID
11	SM3-01-20E	1		
12	723-0087	8	YES	TUBE, SPACER, GUIDE RAIL
13	723-0088	2	YES	PLATE, GUIDE RAIL TOP
14	723-0089	4	YES	SCREW, M8X1.25, BB AXLE
15	723-0076	18	YES	M6 X1.5 PHILLIPS HEAD SCREW
16	UF14006040E	1		SCREW, ISO4762, M6x20
17	UW70081415E	48		平垫
18	723-0092	32	NO	RIV-NUT, M6 X 1.0, KNURLED OPEN END, STEEL
19	723-0093	4		NUT, 3/8-16 NC
20	723-0095	37	YES	NUT, M8 X 1.25, NYLOC JAM
21	23082	24		BEARING, STEP SHAFT
22	723-0098	4		SHCS, M8X25
23	UN54008002E	2		NUT, RIVET, M8 X 1.25
24	UF13006021	2		内六角半圆头螺钉
25	UF16006061	2		非标螺栓
26	UA21240691	2		
27	723-0104	1	YES	PAN GUARD
28	84995	4		LEVELER FOOT
29	723-0105	2	YES	BEARING, PILLOW BLOCK
30	UE11121100E	1		
31	723-0107	1	YES	BELT, TIMING, COGGED
32	723-0240	1	YES	M10x45 BUTTON HEAD SCREW
33	UF14008090E	8		
34	723-0110	2		SCREW, SET, M6X5
35	723-0094	4		SHCS, M8X15
36	723-0102	6		FHCS M6X16
37	723-0097	4		BEARING, BALL, DEEP GROOVE
38	723-0096	4		BOLT, HEX, M8X25
39	723-0168	4		WASHER, 20.3MM ODX8.2MM ID
40	050-0135	2		CONNECTING PLATE
41	723-0090	2		PARALLEL KEY, 5X15
42	723-0068	1		SLEEVE, SPROCKET GUIDE, UPPER
43	723-0071	1		ASSY, TENSIONER WELDMENT
44	723-0059	1		ASSY, UPPER SHAFT AND SPROCKET
45	723-0061	4		SPACER, DRIVE SHAFT
46	723-0064	2		BRACKET, SLIDE ADJUST PILLOW BRACKET
47	723-0067	1		REFLECTOR, EMERGENCY GUIDE, UPPER
48	723-0069	2		SLEEVE, UPPER DRIVE SHAFT 20MM OD 15MM ID
49	723-0080	1		SHAFT, MAIN BELT DRIVE 16MM
50	22039	2		SCREW, SET 3/8-16X1.0



PROPRIETARY AND CONFIDENTIAL
 THE INFORMATION CONTAINED IN THIS DRAWING IS THE SOLE PROPERTY OF STAIRMASTER OR CORE FITNESS. ANY REPRODUCTION IN PART OR AS A WHOLE WITHOUT THE WRITTEN PERMISSION OF STAIRMASTER OR CORE FITNESS IS PROHIBITED.

THIRD ANGLE PROJECTION:

PRIMARY DIMENSIONS GIVEN IN MILLIMETERS SECONDARY DIMENSIONS GIVEN IN INCHES. UNLESS OTHERWISE SPECIFIED MATCH 3D GEOMETRY ± TWO PLACE DECIMAL.

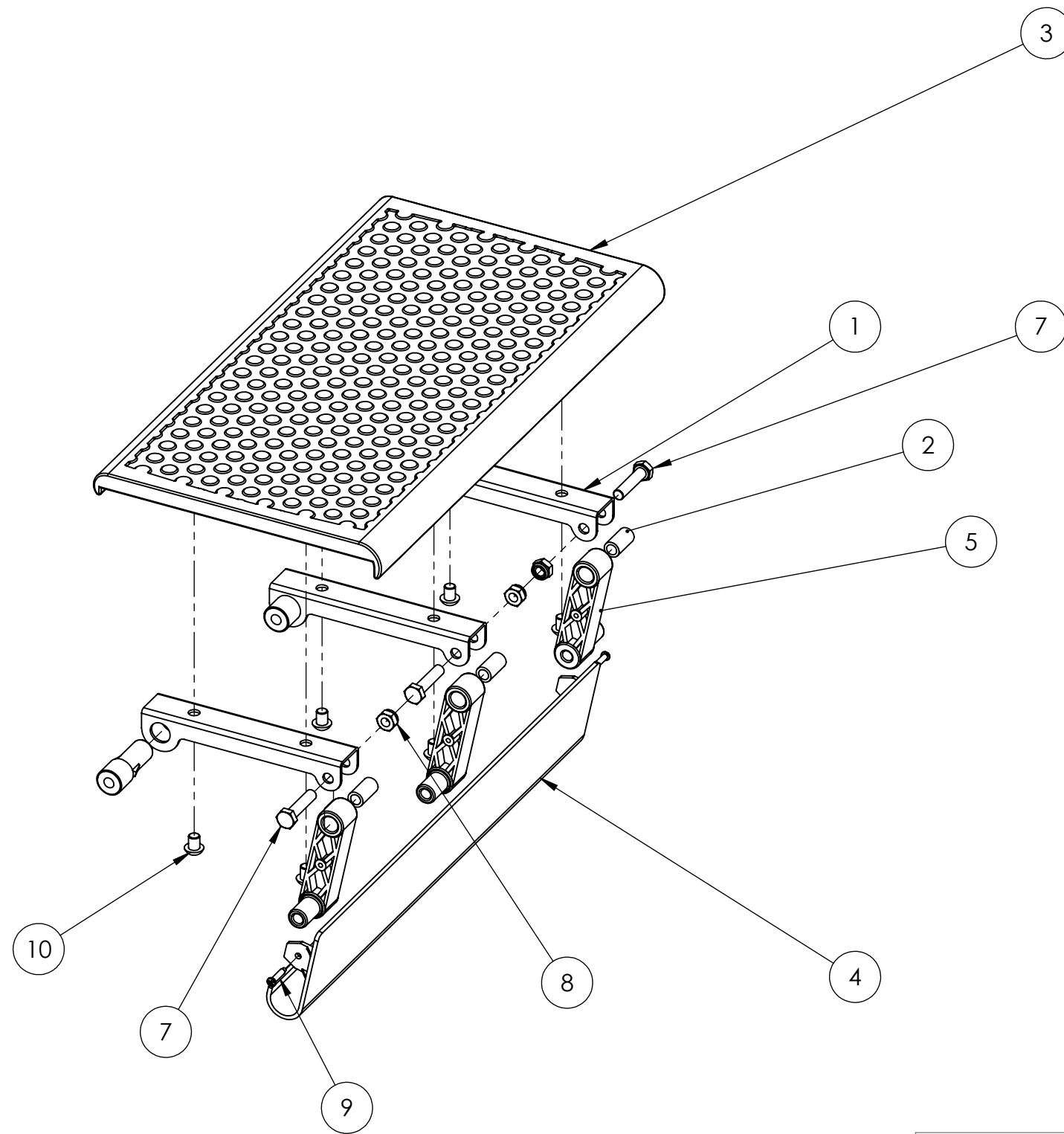
TOLERANCES:
 ANGULAR: ± 1°
 WHOLE MEASUREMENTS ± 1.
 ONE PLACE DECIMAL ± .3
 TWO PLACE DECIMAL ± .15

	NAME	DATE
ENG/DRW		4/18/2012
DRAWN	ATV	10/5/2012
ENG APPR.		
SERVICEABLE:		
MATERIAL:		
COLOR:		
FINISH:		
VENDOR PN:		

MODEL DESCRIPTION:
ASSY, MAIN FRAME

DRAWING: 723-0010 REV. A

SCALE: 1:25 SIZE: B SHEET: 6 OF 11

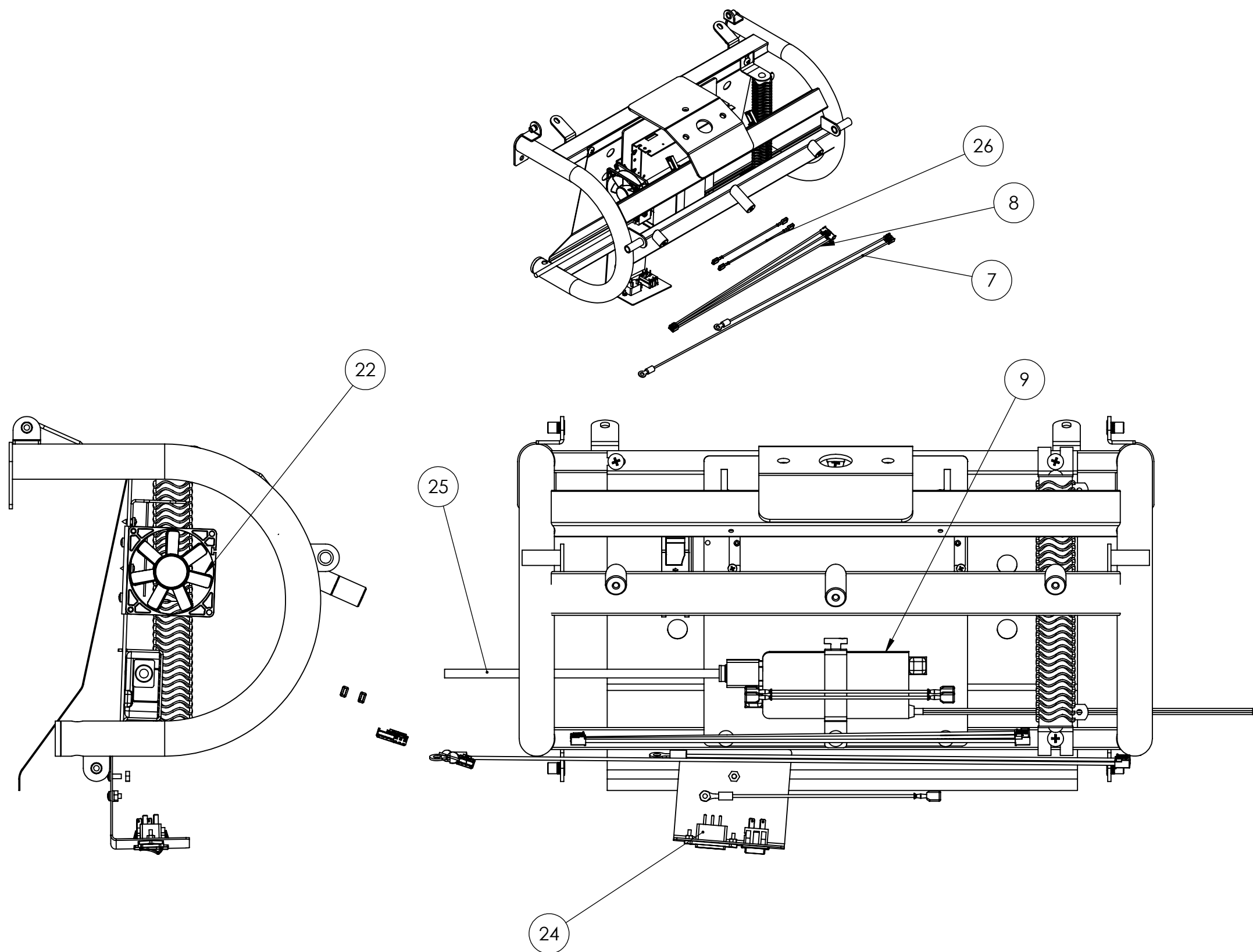


ITEM NO.	PART NO.	QTY.	SERV.	DESCRIPTION
1	723-0048	3		BRACKET, STEP SUPPORT
2	723-0049	3		TUBE, STEP SUPPORT, BOLT SPACER
3	723-0050	1	YES	STEP, PLASTIC ASSY
4	723-0051	1	YES	STEP RISER, PLASTIC
5	723-0052	3	YES	BRACE, STEP SUPPORT
6	723-0053	3		SLEEVE, BRACKET STEP SUPPORT
7	723-0054	3	YES	BOLT, HEX, M8X35-N FULL THREAD
8	723-0095	3	YES	NUT, M8 X 1.25, NYLOC JAM
9	723-0055	2		SCREW, M4x0.7x19L,PHT,PH,CS,BZ
10	723-0056	6		BHCS M8X10

THIRD ANGLE PROJECTION:		NAME	DATE	 MODEL DESCRIPTION: ASSY, RISER AND STEP BRACE
ENG/DRW	ATV	4/16/2012		
DRAWN	ATV	10/5/2012		
ENG APPR.				
SERVICEABLE:				
MATERIAL:				
COLOR:				DRAWING: 723-0047
FINISH:				REV. B
VENDOR PN:				SCALE: 1:10
				SIZE: B SHEET: 7 OF 11

PROPRIETARY AND CONFIDENTIAL
 THE INFORMATION CONTAINED IN THIS DRAWING IS THE SOLE PROPERTY OF STAIRMASTER OR CORE FITNESS. ANY REPRODUCTION IN PART OR AS A WHOLE WITHOUT THE WRITTEN PERMISSION OF STAIRMASTER OR CORE FITNESS IS PROHIBITED.

PRIMARY DIMENSIONS GIVEN IN MILLIMETERS SECONDARY DIMENSIONS GIVEN IN INCHES. UNLESS OTHERWISE SPECIFIED MATCH 3D GEOMETRY ± TWO PLACE DECIMAL.
 TOLERANCES:
 ANGULAR: ± 1°
 WHOLE MEASUREMENTS ± 1.
 ONE PLACE DECIMAL ± .3
 TWO PLACE DECIMAL ± .15



ITEM NO.	PART NO.	QTY.	SERV.	DESCRIPTION
1	723-0112	1		ASSY, FRONT ROLL CAGE
2	723-0129	1		PAN, INNER FRONT GUARD
3	723-0130	1		BRACKET, FAN
4	723-0131	1		RESISTER, CERAMIC
5	SM3-02-05E	1		
6	SM3-02-06E	1	**	
7	723-0136	1		CABLE, CERAMIC RESISTOR
8	723-0137	1		CABLE, ALTERNATOR
9	723-0138	1	YES	XFORMER, POWER SUPPLY, SM3
10	723-0139	1		BRACKET, ADAPTOR BRACE
11	POT0020005E	2		线夹1.0"
12	UF34110040E	2		十字盘头自攻螺钉
13	UN51308000E	2		六角防松螺母
14	UF30308030E	2		十字盘头螺钉
15	UF30004032E	2		十字盘头螺钉
16	723-0092	11	NO	RIV-NUT, M6 X 1.0, KNURLED OPEN END, STEEL
17	flat head 100 screw ai	2		
18	UN51304000E	2		带齿六角防松螺母
19	hex nuts, style 1-grades ab gb	2		
20	truss head screw ai	8		
21	cross recessed pan head tapping screws gb	6		
22	723-0149	724		FAN
23	740-6116	1		电源开关(16A,250VAC/20A,125VAC)
24	723-0151	1		INLET POWER (10A,220V)
25	723-0152	1		ADAPTER,CORD LINE, AS/NZS 3112
26	723-0153	1		ASSY, CABLE, NEUTRAL WIRE, E-TR/x
27	723-0154	1		ASSY, CABLE, LINE WIRE, E-TR/x
28	723-0155	1		ASSY CABLE, GROUND WIRE, MCB/CONSOLE

THIRD ANGLE PROJECTION:

PRIMARY DIMENSIONS GIVEN IN MILLIMETERS SECONDARY DIMENSIONS GIVEN IN INCHES. UNLESS OTHERWISE SPECIFIED MATCH 3D GEOMETRY ± TWO PLACE DECIMAL.

TOLERANCES:
 ANGULAR: ± 1°
 WHOLE MEASUREMENTS ± 1.
 ONE PLACE DECIMAL ± .3
 TWO PLACE DECIMAL ± .15

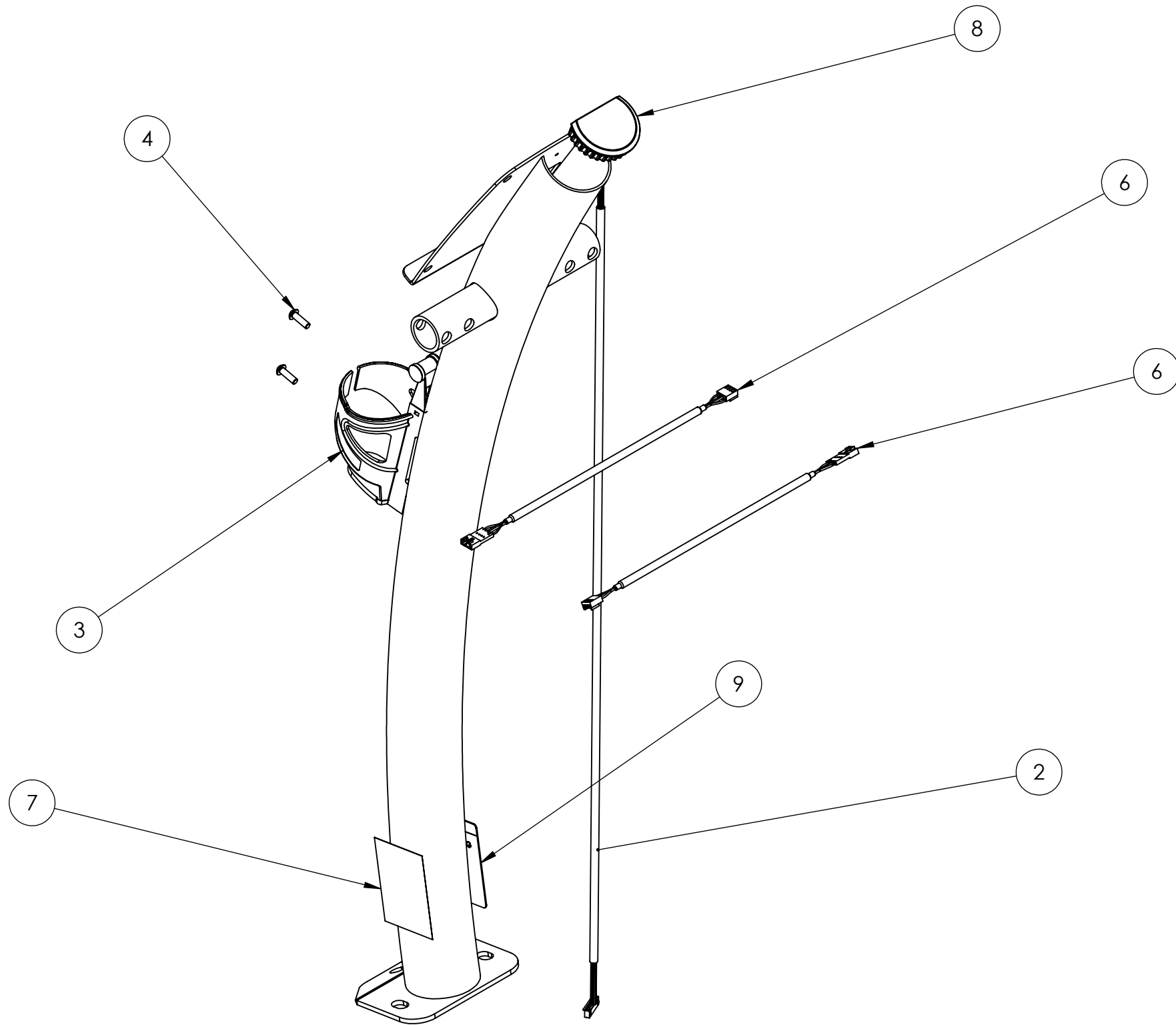
PROPRIETARY AND CONFIDENTIAL
 THE INFORMATION CONTAINED IN THIS DRAWING IS THE SOLE PROPERTY OF STAIRMASTER OR CORE FITNESS. ANY REPRODUCTION IN PART OR AS A WHOLE WITHOUT THE WRITTEN PERMISSION OF STAIRMASTER OR CORE FITNESS IS PROHIBITED.

NAME	DATE
ENG/DRW	6/29/2010
DRAWN	ATV
ENG APPR.	10/5/2012
SERVICEABLE:	
MATERIAL:	
COLOR:	
FINISH:	
VENDOR PN:	

MODEL DESCRIPTION:
ASSY, FRONT ELECTRICAL PANEL

DRAWING: **723-0111** REV. **A**

SCALE: 1:10 SIZE: B SHEET: 8 OF 11



ITEM NO.	PART NO.	QTY.	SERV.	DESCRIPTION
1	723-0172	1		WELDMENT MAST
2	723-0177	1	YES	ASSY, CABLE , EXT, MAIN I/O, TBT/X
3	84998	1		WATER BOTTLE HOLDER
4	UF130050 30	2		
5	UN54005 001	2		
6	SM3-04- 03E	2		
7	723-0250	1		DECAL, WARNING, MAX USER WEIGHT FRENCH
8	723-0009	1		Display tube end cap
9	723-0249	1	YES	LABEL, WARNING, SM5

THIRD ANGLE PROJECTION:

PRIMARY DIMENSIONS GIVEN IN MILLIMETERS SECONDARY DIMENSIONS GIVEN IN INCHES. UNLESS OTHERWISE SPECIFIED MATCH 3D GEOMETRY ± TWO PLACE DECIMAL.

TOLERANCES:
 ANGULAR: ± 1°
 WHOLE MEASUREMENTS ± .1
 ONE PLACE DECIMAL ± .3
 TWO PLACE DECIMAL ± .15

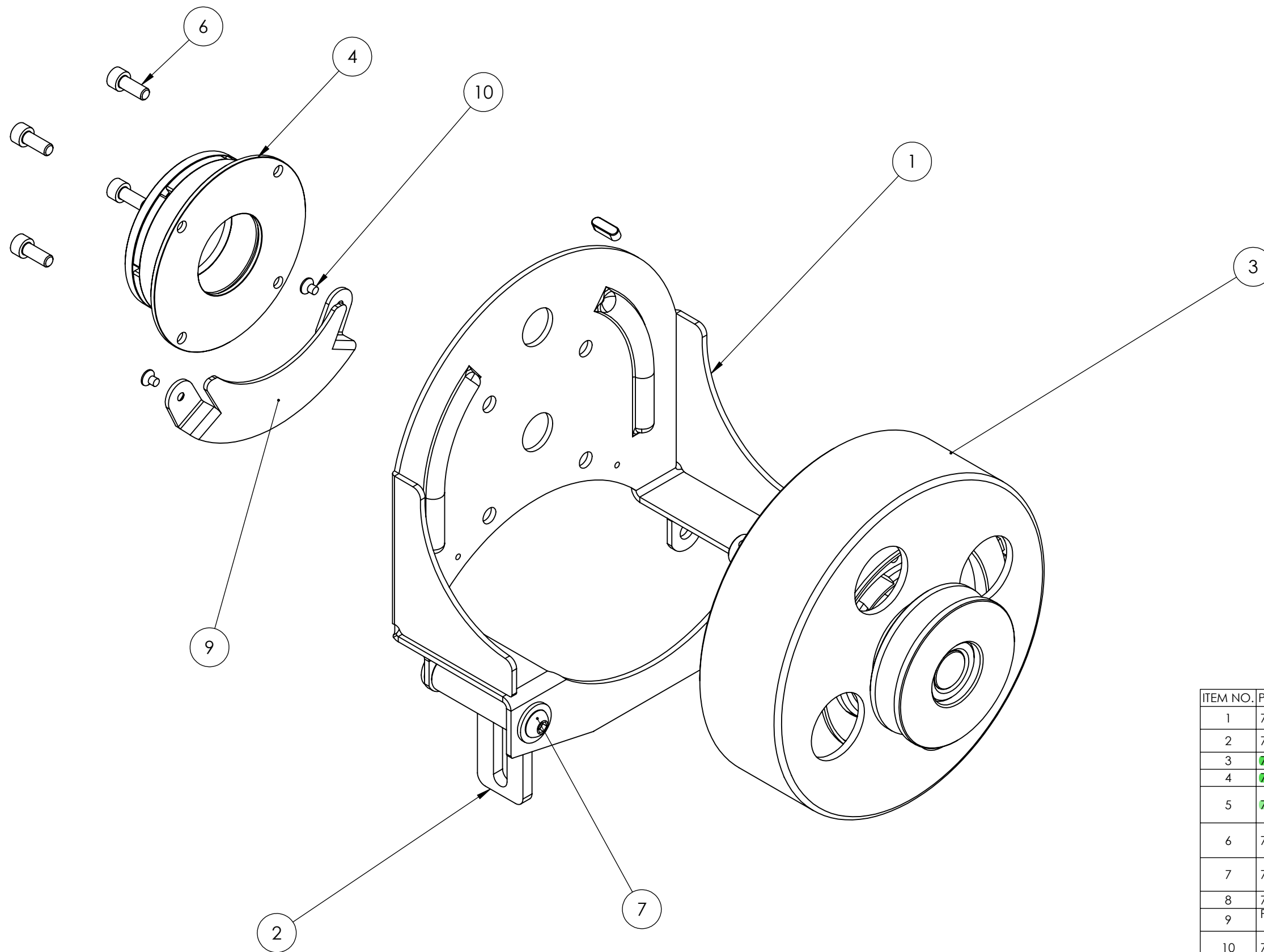
PROPRIETARY AND CONFIDENTIAL
 THE INFORMATION CONTAINED IN THIS DRAWING IS THE SOLE PROPERTY OF STAIRMASTER OR CORE FITNESS. ANY REPRODUCTION IN PART OR AS A WHOLE WITHOUT THE WRITTEN PERMISSION OF STAIRMASTER OR CORE FITNESS IS PROHIBITED.

NAME	DATE
ENG/DRW	6/7/2012
DRAWN	ATV
ENG APPR.	10/5/2012
SERVICEABLE:	
MATERIAL:	
COLOR:	
FINISH:	
VENDOR PN:	


MODEL DESCRIPTION:
ASSY, MAST

DRAWING: **723-0171** REV.

SCALE: 1:10 SIZE: B SHEET: 9 OF 11



ITEM NO.	PART NO.	QTY.	SERV.	DESCRIPTION
1	723-0157	1		PLATE, ALTERNATOR/BRAKE SUPPORT
2	723-0160	1		WELDMENT, BRACKET, ALTERNATOR/BRAKE MOUNT
3	723-0163	1		ASSY, ALTERNATOR/PULLEY SYSTEM
4	723-0165	1		ASSY, ATERNATOR/BRAKE
5	723-0090	1		PARALLEL KEY, 5X15
6	723-0166	4		SHCS M6X15
7	723-0167	2		SCREW, M8X1.25,20MM, BHC, HK
8	723-0168	2		WASHER, 20.3MM ODX8.2MM ID
9	POT0070 023E	1		**
10	723-0170	2		PHCS M4X8

THIRD ANGLE PROJECTION: 

PRIMARY DIMENSIONS GIVEN IN MILLIMETERS SECONDARY DIMENSIONS GIVEN IN INCHES. UNLESS OTHERWISE SPECIFIED MATCH 3D GEOMETRY ± TWO PLACE DECIMAL.

TOLERANCES:
 ANGULAR: ± 1°
 WHOLE MEASUREMENTS ± 1.
 ONE PLACE DECIMAL ± .3
 TWO PLACE DECIMAL ± .15

PROPRIETARY AND CONFIDENTIAL
 THE INFORMATION CONTAINED IN THIS DRAWING IS THE SOLE PROPERTY OF STAIRMASTER OR CORE FITNESS. ANY REPRODUCTION IN PART OR AS A WHOLE WITHOUT THE WRITTEN PERMISSION OF STAIRMASTER OR CORE FITNESS IS PROHIBITED.

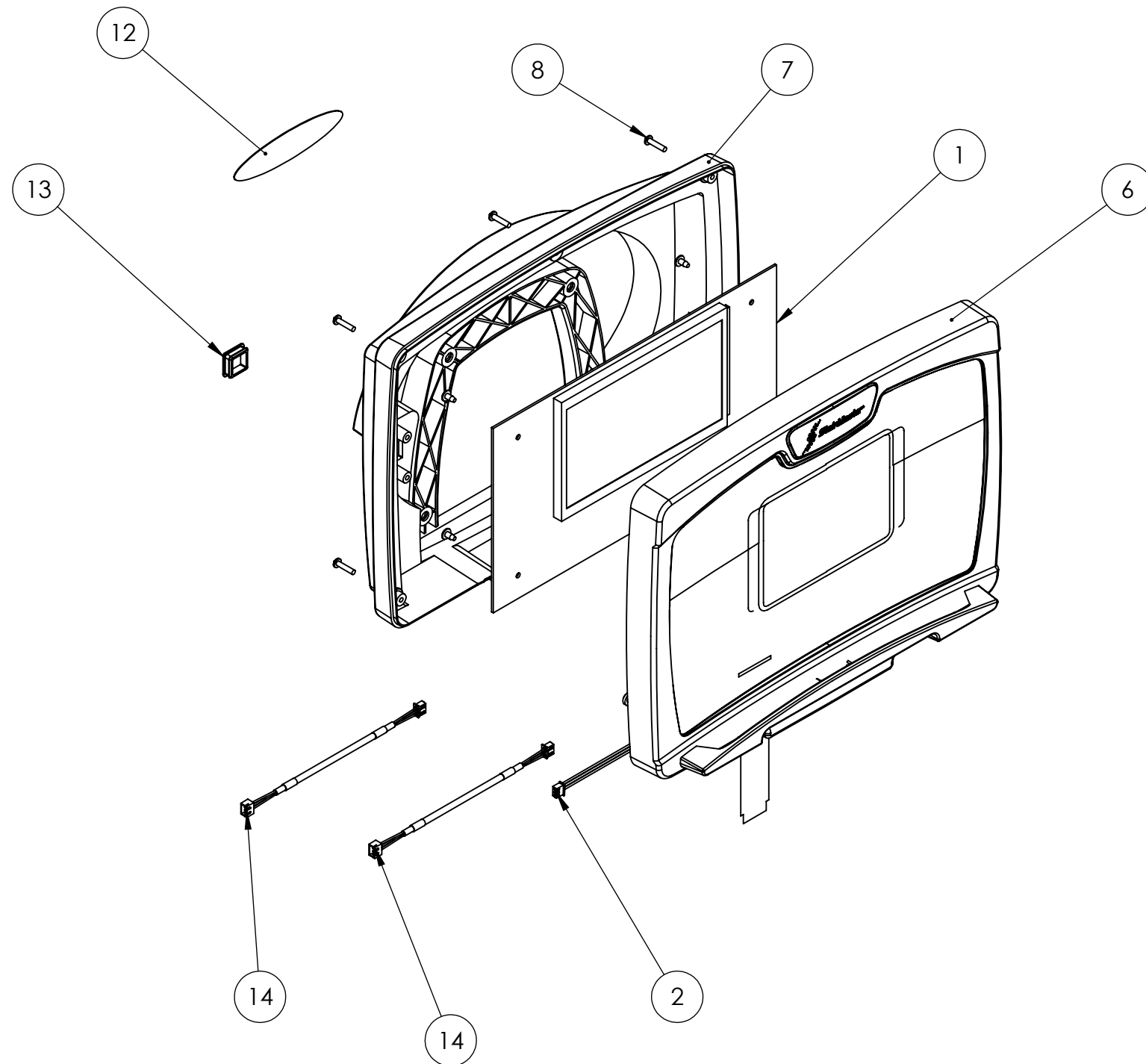
NAME	DATE
ENG/DRW	7/5/2010
DRAWN	ATV
ENG APPR.	10/5/2012
SERVICEABLE:	
MATERIAL:	
COLOR:	
FINISH:	
VENDOR PN:	



MODEL DESCRIPTION:
ASSY, ALTERNATOR/BRAKE SUPPORT

DRAWING: **723-0156** REV. **B**

SCALE: 1:5 SIZE: B SHEET: 10 OF 11



ITEM NO.	PART NO.	QTY.	SERV.	DESCRIPTION
1	723-0230	1		LCD DISPLAY
2	723-0231	1		CABLE, CONSOLE, HR
3	UA86050036E	1		
4	TK70000002E	1		
5	PA46040013E	1		
6	723-0233	1		SHROUD, CONSOLE FRONT
7	050-0043	1		CONSOLE, HOUSING BACK
8	UF34306050E	5		十字盘头自攻螺钉
9	UF30005032E	2		
10	S-1BTx-715-3864E	1		ASSY, WIRELESS HR, POLAR, 92cm L.R.
11	UF34004016E	5		十字盘头自攻螺钉
12	TK70000000E	1		
13	723-0255	1	YES	CAP, CSAFE
14	SM3-08-03E	2		

THIRD ANGLE PROJECTION:		NAME	DATE	 MODEL DESCRIPTION: CONSOLE ASSY, SM3
PRIMARY DIMENSIONS GIVEN IN MILLIMETERS SECONDARY DIMENSIONS GIVEN IN INCHES. UNLESS OTHERWISE SPECIFIED MATCH 3D GEOMETRY ±TWO PLACE DECIMAL.	ENG/DRW	ATV	12/9/2011	
TOLERANCES: ANGULAR: ± 1° WHOLE MEASUREMENTS ± 1. ONE PLACE DECIMAL ± .3 TWO PLACE DECIMAL ± .15	DRAWN	ATV	10/5/2012	
	ENG APPR.			
	SERVICEABLE:			
	MATERIAL:			
	COLOR:			
	FINISH:			
	VENDOR PN:			
				DRAWING: 723-0229
				REV.
				SCALE: 1:10
				SIZE: B SHEET: 11 OF 11

PROPRIETARY AND CONFIDENTIAL
 THE INFORMATION CONTAINED IN THIS DRAWING IS THE SOLE PROPERTY OF STAIRMASTER OR CORE FITNESS. ANY REPRODUCTION IN PART OR AS A WHOLE WITHOUT THE WRITTEN PERMISSION OF STAIRMASTER OR CORE FITNESS IS PROHIBITED.